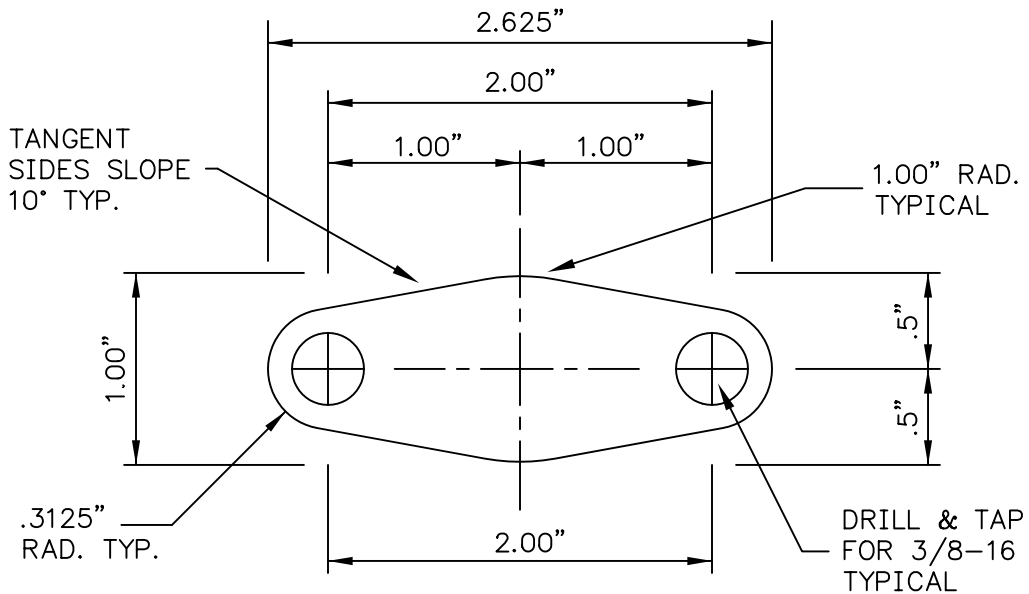


SHIFT SIDE



BRAKE SIDE

MATERIAL TO BE 3/8" THICK  
COLD ROLLED STEEL

FORWARD CONTROL MOUNTS

SCALE 1" = 1"

CHOPPER BUILDERS HANDBOOK

FCMT1.1

[HTTP://WWW.CHOPPERHANDBOOK.COM](http://www.chopperhandbook.com)