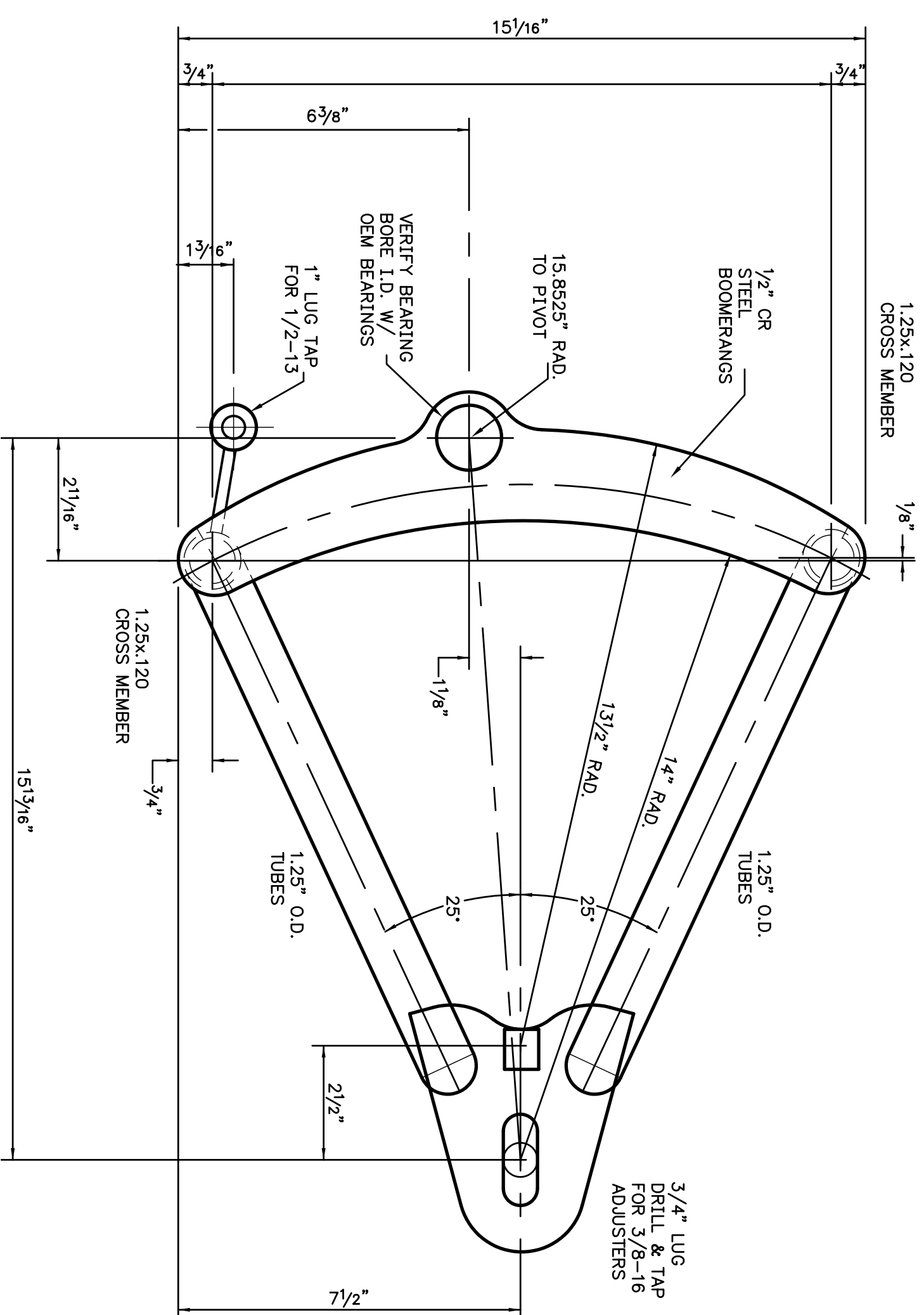
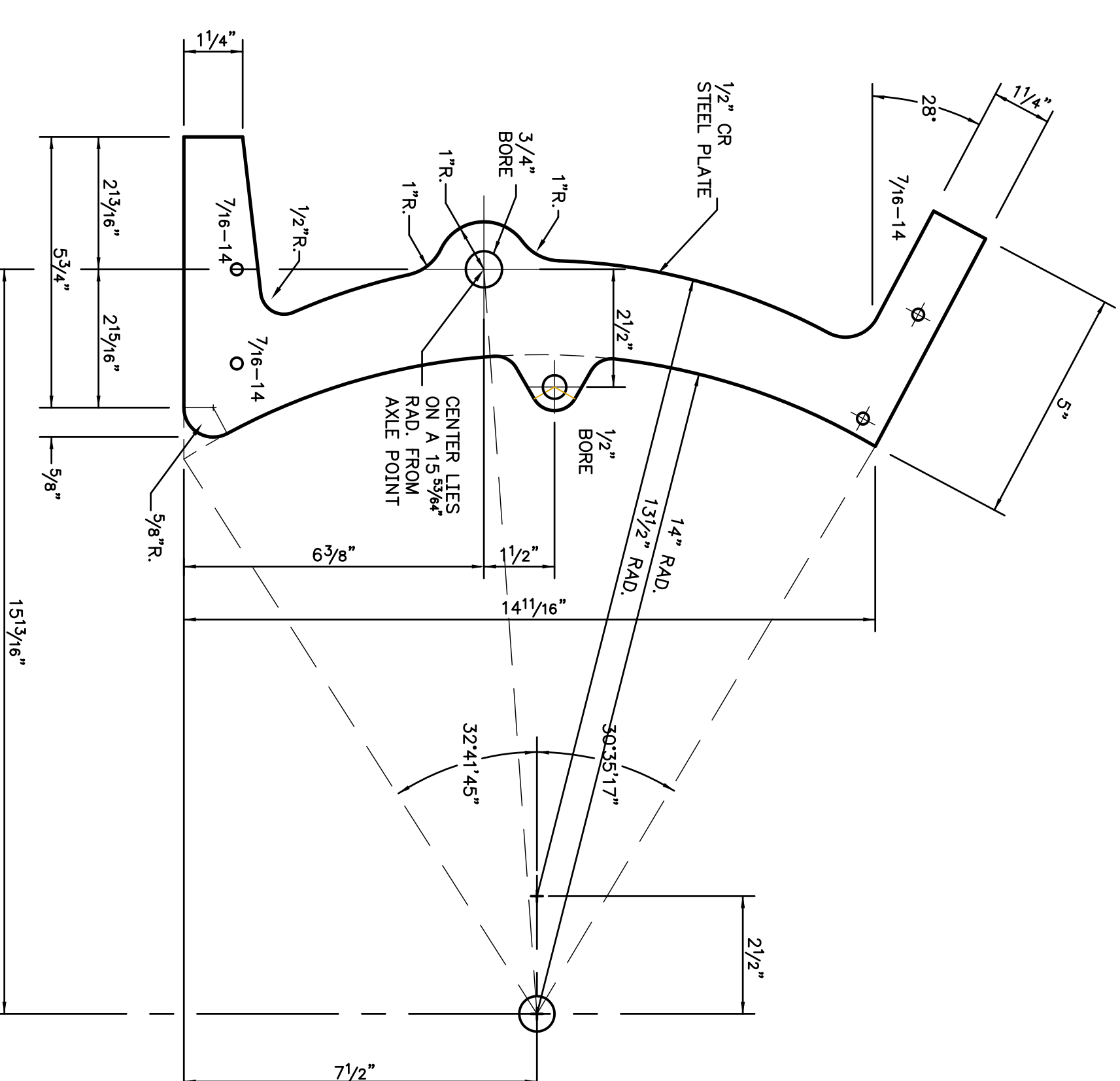


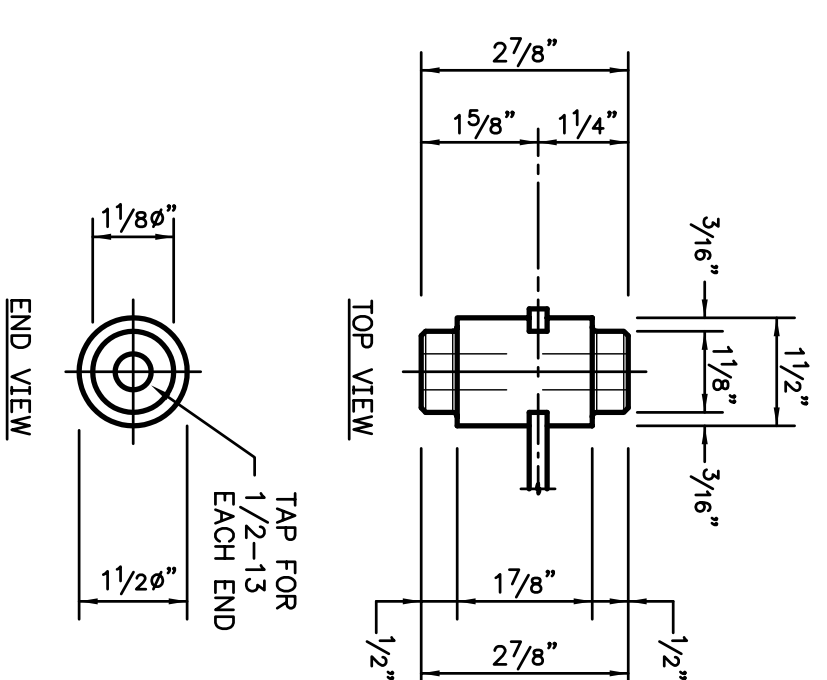
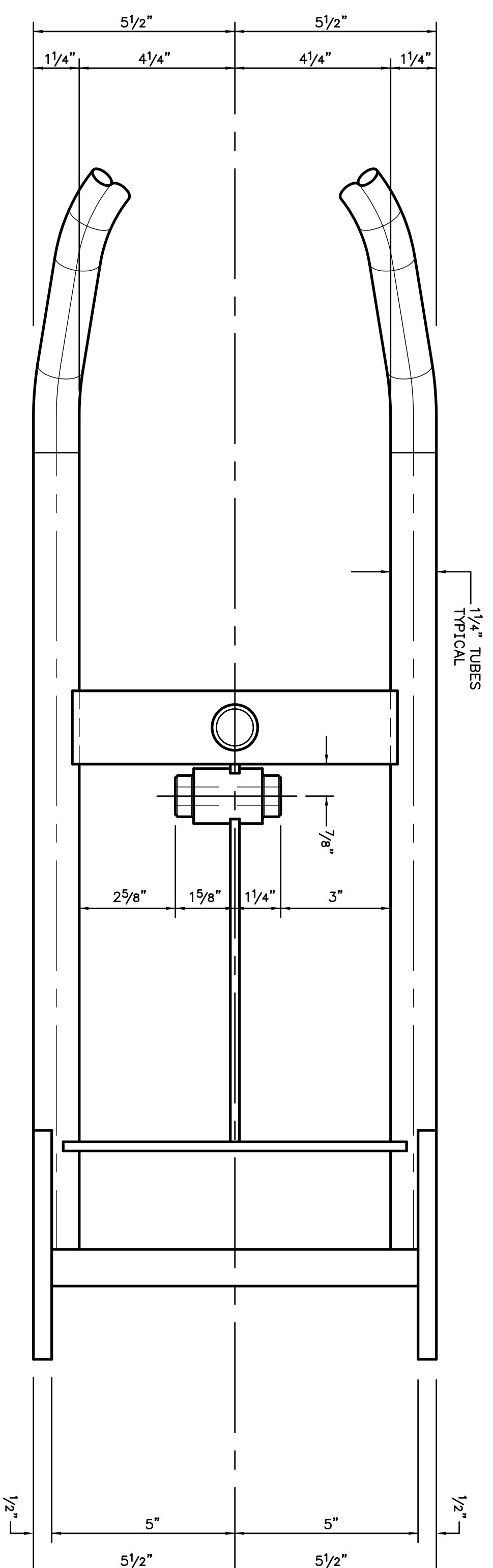
CHOPPER BUILDERS HANDBOOK



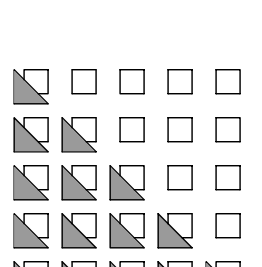
SWINGARM BOOMERANGS - (SIDE VIEW)
SCALE 3/8" = 1" (2 REQUIRED)



FRAME AXLE CARRIER STANCHIONS - (SIDE VIEW)
SCALE 3/8" = 1" (2 REQUIRED)



SHOCK CARRIER LEVEL OF FRAME LOWER RAILS
SCALE 3/8" = 1"



GARY W. WEISHAUP
PERFORMANCE ENGINEERING
DESIGN & ANALYSIS
FLOWBENCH TESTING
MACHINE WORK
RESTORATIONS

1480 RIVER PARK BLVD.
LAKE ARROWHEAD, CALIFORNIA 94459
PHONE: 760-933-9333
email: gw@256net.com

Revision	Date
• INITIAL LAYOUT	12-7-04
• GENERAL REVISION	12-28-04
• GENERAL REVISION	1-4-05

Project Title
**SOFTAIL
CHOPPER
FRAME**

REFERENCE DATA

Drawn By	GWW
Scale	1-9-04
Checked By	HC
Date	1-9-04
Scale	3/8" = 1"
Proj. No.	-
Sheet Description	SOFTAIL CHOPPER DETAILS
Design	ST-180
Part Name	"SNEAKY-PETE"

Sheet No.
ST-180.3

